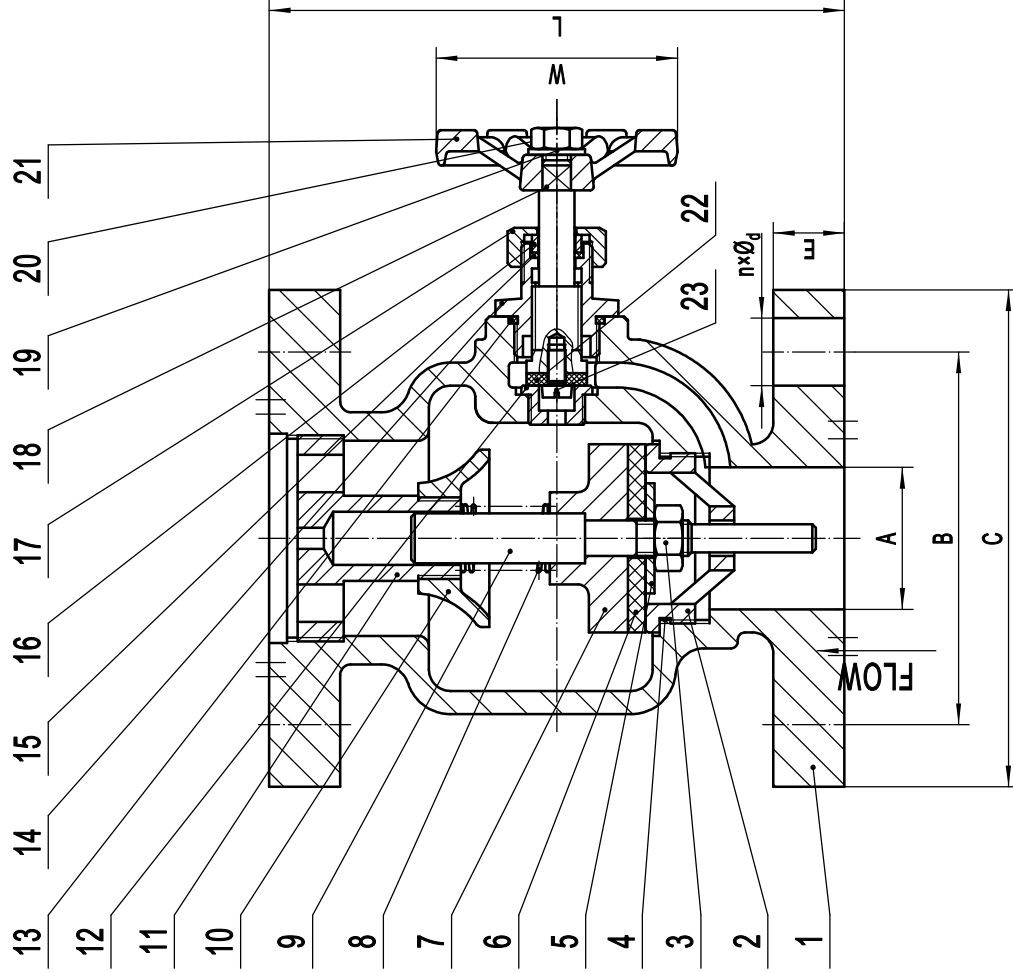


SPECIFICATIONS

DN	40A-200A	
PN	10K	
SUITABLE TEMP ^o C	5~80	
TEST PRESSURE	SEAL(WATER)	1.6
	STRENGT(WATER)	2.1
MEDIUM	WATER	

STANDARDS

Design and Manufacture: KS B2350
 Face to Face: KS B 2350
 Flange End: KS B1511
 Test: KS B 2304



ITEM	L	A	B	C	n×d	E	W
40A	162	Ø40	Ø105	Ø140	4×Ø19	20	Ø68
50A	183	Ø50	Ø120	Ø155	4×Ø19	20	Ø68
65A	200	Ø65	Ø140	Ø175	4×Ø19	22	Ø68
80A	210	Ø80	Ø150	Ø185	8×Ø19	24	Ø68
100A	217	Ø100	Ø175	Ø210	8×Ø19	24	Ø68
125A	255	Ø125	Ø210	Ø250	8×Ø23	24	Ø68
150A	280	Ø150	Ø240	Ø280	8×Ø23	26	Ø68
200A	416	Ø200	Ø290	Ø330	12×Ø23	26	Ø85

NO.	CODE	PART	QTY	MATERIAL	REMARK
23		SCREW		2Cr13	
22		SMALL SEAL RING		PTFE	
21		HANDWHEEL		CAST IRON	
20		NUT		SS400(Q235A)	
19		WASHER		SS400(Q235A)	
18		SMALL STEM		2Cr13	
17		NUT		C3604(HPb60-2)	
16		GLAND		C3771BE(HPb59-2)	
15		O RING		NBR	
14		BEARING		C3771BE(HPb59-2)	
13		O RING		NBR	
12		SMALL SEAL RING		C3771BE(HPb59-2)	
11		GUIDE SEAT		CAC406(ZCuSn5Pb5Zn5)	
10		BUFFERING COVER		CAST IRON	
9		BIG STEM		C3771BE(HPb59-2)	
8		SPRING		SSS304(0Cr18Ni9)	
7		DISC		CAST IRON	
6		DISC SEAL GASKET		NBR	
5		WASHER		SS400(Q235A)	
4		O RING		NBR	
3		NUT		SS400(Q235A)	
2		SEAT		CAC406	
1		BODY		CAST IRON	

YUANDA VALVE GROUP
 CO., LTD.
 10K LIFT CHECK VALVE
 (KS)TGKLF040-200