

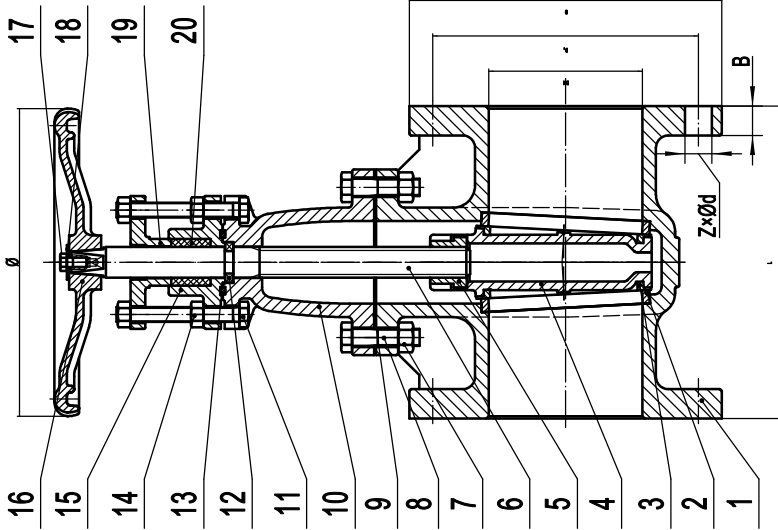
TECHNICAL REQUIREMENT

- PRESSURE TEST ACCORDING TO MSS SP-70;
- FACE TO FACE ACCORDING TO ANSI B16.10,
- FLANGE ACCORDING TO ANSI B16.1.

SPECIFICATION

DN	2-12"	
NOMINAL PRESSURE	125Lb	
SUITABLE TEMP ^o C	≤100	
TEST PRESSURE MPa	SEAL(WATER)	1.41
	STRENGTH(WATER)	2.46
SUITABLE MEDIUM	BACK SEAL	1
	WATER, STEAM	

SIZE	DN	L	D	D1	B	Z*Ød	Ø
2"	50	176 ^{+1.5}	152	120.5	15.9	4*Ø19	180
2.5"	65	190 ^{+1.5}	178	139.5	17.5	4*Ø19	180
3"	80	203 ^{+1.5}	191	152.5	19.1	4*Ø19	180
4"	100	229 ^{+1.5}	229	190.5	23.9	8*Ø19	250
5"	125	254 ^{+1.5}	254	216	23.9	8*Ø22	250
6"	150	267 ^{+1.5}	279	241.5	25.4	8*Ø22	300
8"	200	292 ^{+1.5}	343	296.5	28.6	8*Ø22	360
10"	250	330 ⁺²	406	362	30.2	12*Ø25	400
12"	300	356 ⁺²	483	432	31.8	12*Ø25	400



NO.	CODE	NAME	QTY	MATERIAL	NOTE
20		PACKING		FLEXIBLE GRAPHITE	
19		GLAND		DUCTILE IRON	
18		GASKET		STEEL	
17		BOLT		35#STEEL	
16		HANDWHEEL		DUCTILE IRON	
15		PACKING BOX		ASTM A126 B	
14		NUT		25#STEEL	
13		O TYPE RUBBER RING		NBR	
12		HALF RING		STEEL	
11		BOLT		35#STEEL	
10		BONNET		ASTM A126 B	
9		GASKET		00 STEEL+FLEXIBLE GRAPHITE	
8		BOLT		35#STEEL	
7		NUT		25#STEEL	
6		STEM		2Cr13(A296 420)	
5		STEM NUT		ASTM B62	
4		DISC		ASTM A126 B	
3		DISC SEAL RING		304/ASTM C83600	
2		BODY SEAL RING		304/ASTM C83600	
1		BODY		ASTM A126 B	

1 PC TOTAL WEIGHT		NOTE	
		YUANDA VALVE	
		GROUP CO.,LTD.	
		NON RISING STEAM GATE VALVE	
		ANSI NR GATE/25Lb-2"-12"	