

SPECIFICATIONS	
DN	250-500A
PN MPa	1
SUITABLE TEMP °C	≤120
STRENGTH(WATER)	2.0
MEDIUM	STEAM

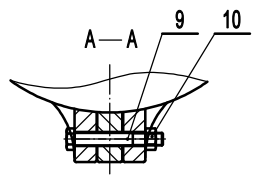
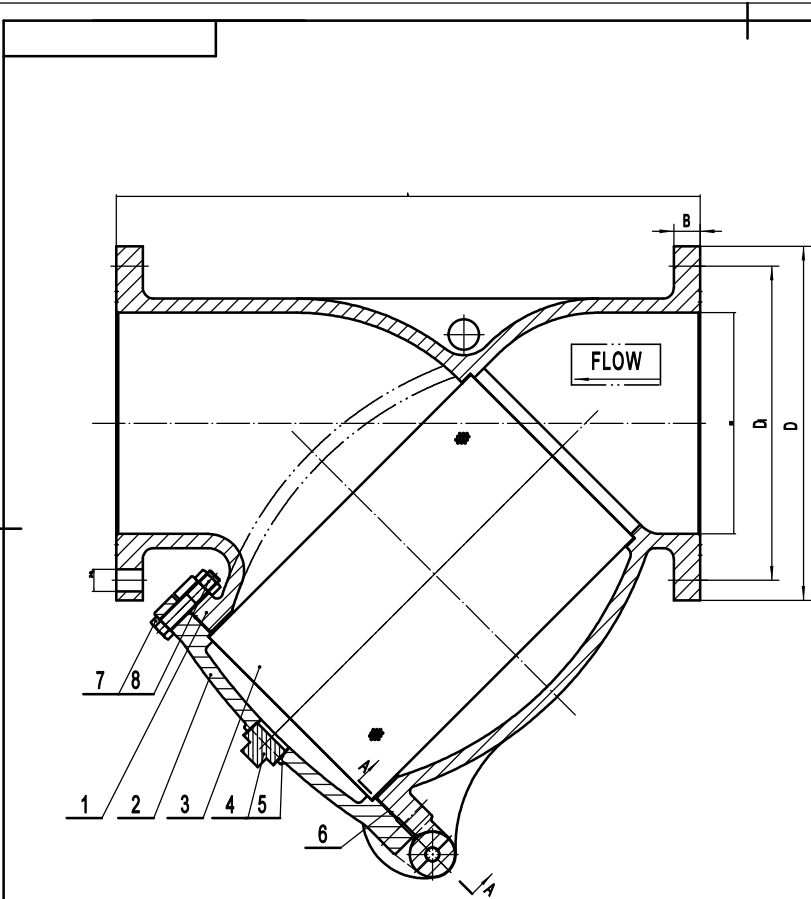
TECHNICAL REQUIREMENTS

MANUFACTURING AND INSPECTION STANDARD: JB 8 1534-2004

NO.	CODE	PART	QTY	MATERIAL	REMARK
1		BOLT		Q235B	
2		BONNET GASKET		METAL/FLEXIBLE GRAPHITE	
3		PLUG		WPM&Z	
4		SCREEN		SS304	
5		BONNET		CARBON STEEL	
6		BODY		CARBON STEEL	

DN	L	B	C	D	E	F
250A	285	22	4-φ119	φ165	φ140	φ175
300A	365	22	4-φ119	φ180	φ150	φ185
400A	500	24	4-φ119	φ180	φ175	φ210
500A	660	24	4-φ119	φ215	φ210	φ230
600A	800	26	4-φ123	φ230	φ230	φ260
800A	1000	28	4-φ123	φ260	φ260	φ310

YUANDA VALVE GROUP
CO., LTD.
KS B 1638
STRAINER
(KS)YDST065~200.00



DN	L	D ₁	D	B	Z×Ø
250A	660	Ø355	Ø400	30	12×Ø25
300A	750	Ø400	Ø445	32	16×Ø25
350A	810	Ø445	Ø490	34	16×Ø25
400A	905	Ø510	Ø560	36	16×Ø27
500A	1100	Ø620	Ø675	40	20×Ø27

SPECIFICATION

DN	250A-500A	
PN	10K	
SUITABLE TEMP °C	-10~220	
PRESSURE TEST	STRENGTH(WATER)	2.0
	SEAL	NO
MEDIUM	WATER, STEAM, OIL	

NO.	CODE	PART	QTY	MATERIAL	UNIT	TOTAL	REMARK
10		NUT		25#STEEL			
9		BOLT		35#STEEL			
8		NUT		25#STEEL			
7		BOLT		35#STEEL			
6		BONNET GASKET		STEEL+FLEXIBLE GRAPHITE			
5		PTFE		PTFE			
4		PLUG		35#STEEL			
3		SCREEN		SS304(SSC13)			
2		BONNET		CAST IRON			
1		BODY		CAST IRON			

YUANDA VALVE GROUP
CO., LTD.
10K BS STRAINER
TGKST250-500.00