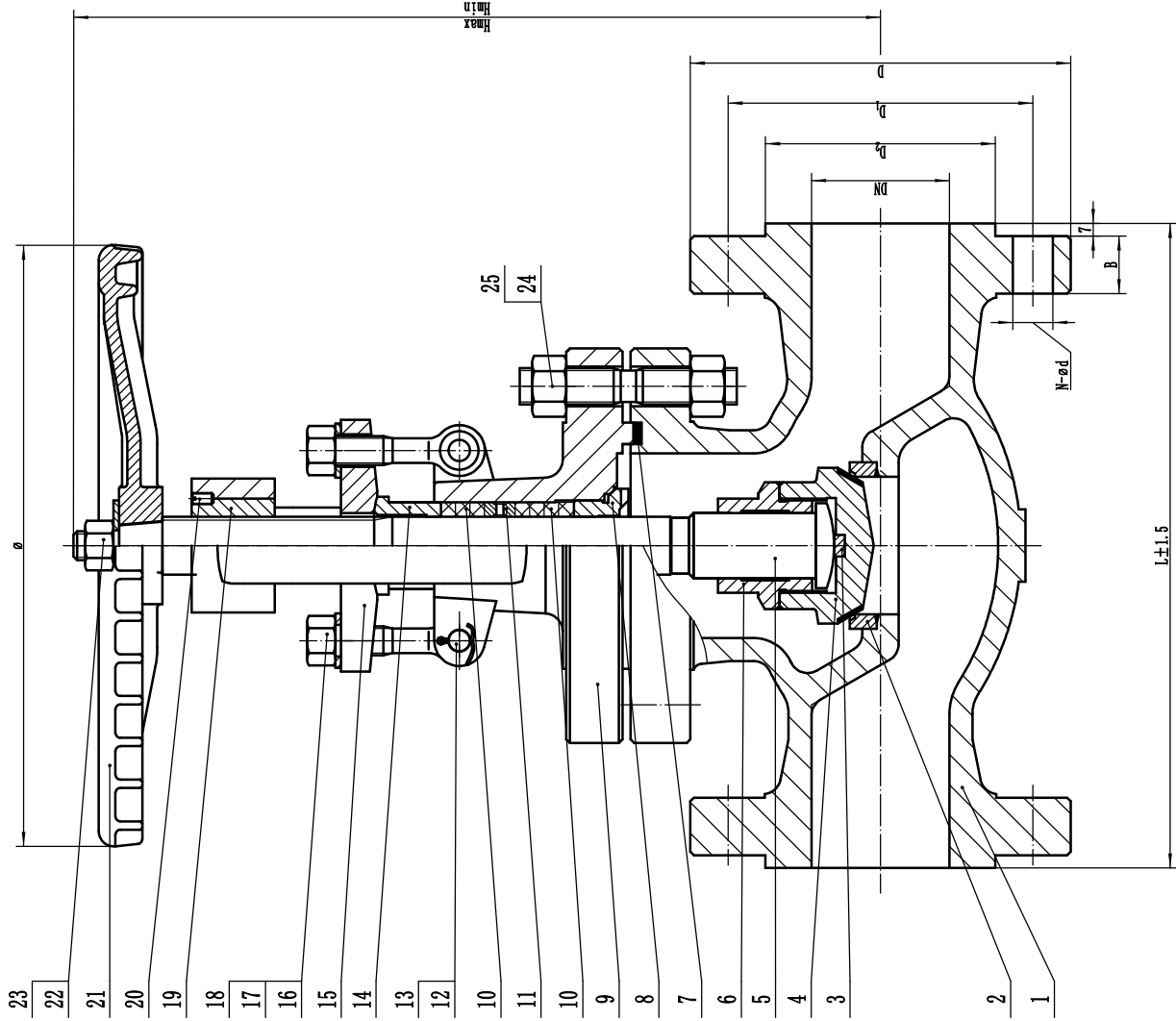


**TECHNICAL REQUIREMENT**

- DESIGN AND MANUFACTURE AS PER API 623;
- FACE TO FACE AS PER ASME B 16.10;
- FLANGE CONNECTION AS PER ASME B 16.5;
- INSPECTION AND TEST AS PER API 598;
- PRESSURE TEMP. AS PER ASME B 16.34;

**PERFORMANCE SPECIFICATION**

DN	2" - 6"
PN	600LB
APPLICABLE TEMP. °F	-20~425
SHELL (WATER)	2234
TEST PRESSURE SEAL (WATER)	1639
PSI	BACKSEAT (WATER) 1639
APPLICABLE MEDIUM	WATER, STEAM, OIL



DN	L	DN	D <sub>2</sub>	D <sub>1</sub>	D	N-ød	B	H <sub>min</sub>	H <sub>max</sub>	ø
2"	292(11.5")	ø51(2.01")	ø92.1(3.62")	ø127(5")	ø165(6.5")	ø-ø19.1(3/4")	25.4(1")	385(14.09")	380(14.96")	ø280(11.02")
3"	356(14")	ø76.2(3")	ø127(5")	ø168.3(6.62")	ø210(8.25")	ø-ø22.2(7/8")	31.8(1.25")	445(17.52")	465(18.09")	ø320(12.6")
4"	432(17")	ø102(4.02")	ø157.2(6.19")	ø215.9(8.5")	ø275(10.75")	ø-ø25.4(1")	38.1(1.5")	521(20.51")	589(23.19")	ø360(14.17")
6"	559(22")	ø152.4(6")	ø215.9(8.5")	ø292.1(11.5")	ø355(14")	ø-ø28.5(1 1/4")	47.7(1.88")	690(27.17")	760(29.92")	ø560(22.05")

ITEM	NO.	NAME	MATERIAL
	25	STUD	ASTM A193 B7
	24	HEXAGON NUT	ASTM A194 2H
	23	BIG WASHER A	Q235
	22	HEXAGON NUT	ASTM A194 2H
	21	HANDWHEEL	QT450-10
	20	LOCK SCREW	ASTM A29 1035
	19	STEM NUT	ASTM A439 D-2
	18	EYELET BOLT	ASTM A193 B7
	17	FLAT WASHER C	Q235
	16	HEXAGON NUT	ASTM A194 2H
	15	PACKING PRESSURE PLATE	ASTM A216 WCB
	14	PACKING BUSHING	ASTM A276 410
	13	SPLIT PIN	Q235
	12	HINGE PIN B	ASTM A29 1035
	11	RING	ASTM A276 410
	10	SOFT GRAPHITE PACKING	ASTM A276 304-graphite
	9	BONNET	ASTM A216 WCB
	8	BACKSEAT	ASTM A276 410
	7	BONNET GASKET	ASTM A276 304-graphite
	6	DISC BONNET	ASTM A276 410
	5	STEM	ASTM A182/A182M F6a C1.2
	4	DISC	ASTM A105-STL
	3	GASKET	ASTM A276 420
	2	SEAT	ASTM A105-STL
	1	BODY	ASTM A216 WCB
NO.		NAME	MATERIAL

YUANDA VALVE GROUP CO., LTD.

CARBON STEEL GLOBE VALVE

API (B) YDGL-600LB-2" - 6" .00