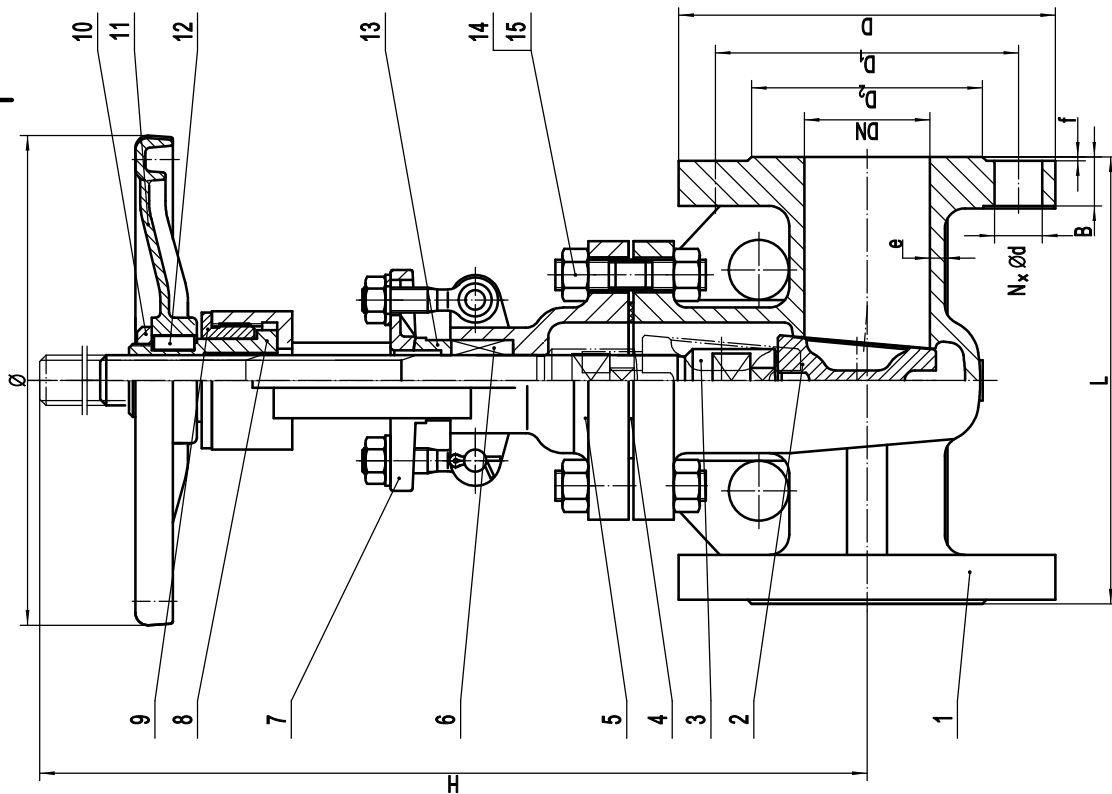


SPECIFICATION AND FUNCTION

SIZE	2"~12"	
PRESSURE CLASS	1500lb	
SUITABLE TEMP. °C	≤150	
TEST PRESSURE	SEAL (WATER)	2.2
	SHELL (WATER)	3.0
	BACK SEAL (WATER)	2.2
MPa	LOW AIR PRESSURE SEAL	0.4~0.6
	WATER, STEAM, OIL AND NITRIC ACID CORROSIVE LIQUIDS	

TECHNICAL REQUIREMENTS

- DESIGN AND MANUFACTURE : API 603.
- FACE TO FACE : ASME B 16.10.
- FLANGE DRILLING : ANSI B 16.5.
- INSPECTION AND TEST : API 598.



15	HEX NUT	ASTM A 276 304		
14	STUD	ASTM A 276 304		
13	PACKING SLEEVE	ASTM A 965/A 965M F304		
12	FLAT KEY	1045 STEEL		
11	HANDWHEEL	ASTM A536 65-45-12		
10	LOCK NUT	ASTM A29M 1020		
9	BEARING GLAND	ASTM A29M 1020		
8	STEM NUT	ZCuAl10Fe3		
7	PACKING PLATE	ASTM A 351/A 351M CF8		
6	PACKING	PTFE		
5	BONNET	ASTM A 351/A 351M CF8		
4	BONNET GASKET	PTFE		
3	STEM	ASTM A 965/A 965M F304		
2	DISC	ASTM A 351/A 351M CF8		
1	BODY	ASTM A 351/A 351M CF8		
NO.	CODE	PARTS	QTY	MATERIALS
			UNIT TOTAL	REMARK
			WEIGHT	

SIZE	ITEM	D	D ₁	D ₂	DN	N x Ød	B	f	e	Ø	H	L
2"		Ø150	Ø120.7	Ø92.1	Ø50	4 x Ø19	19.5	2	6	Ø200	304/361	178+2
2½"		Ø180	Ø139.7	Ø104.8	Ø65	4 x Ø19	22.7	2	7	Ø200	332/409	190+2
3"		Ø190	Ø152.4	Ø127	Ø80	4 x Ø19	24.3	2	7	Ø220	367/458	203+2
4"		Ø230	Ø190.5	Ø157.2	Ø100	8 x Ø19	24.3	2	7.5	Ø250	420/530	229+2
5"		Ø255	Ø215.9	Ø185.7	Ø125	8 x Ø22.2	24.3	2	7.5	Ø300	507/635	254+2
6"		Ø280	Ø241.3	Ø215.9	Ø150	8 x Ø22.2	25.9	2	8	Ø350	560/718	267+2
8"		Ø345	Ø298.5	Ø269.9	Ø200	8 x Ø22.2	29	2	9	Ø350	715/927	292+2
10"		Ø405	Ø362	Ø323.8	Ø250	12 x Ø25.4	30.6	2	10	Ø400	889/1155	330+2
12"		Ø485	Ø431.8	Ø381	Ø300	12 x Ø25.4	32.2	2	11	Ø450	1036/1354	356+2

YUANDA VALVE GROUP CO., LTD

API603 SS304 GATE VALVE

YDGASS-1500lb (P) -2"~12"