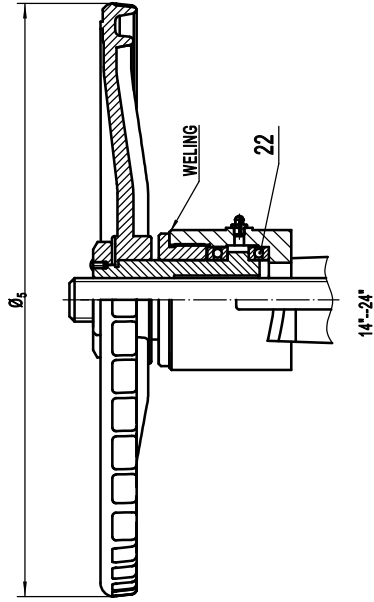
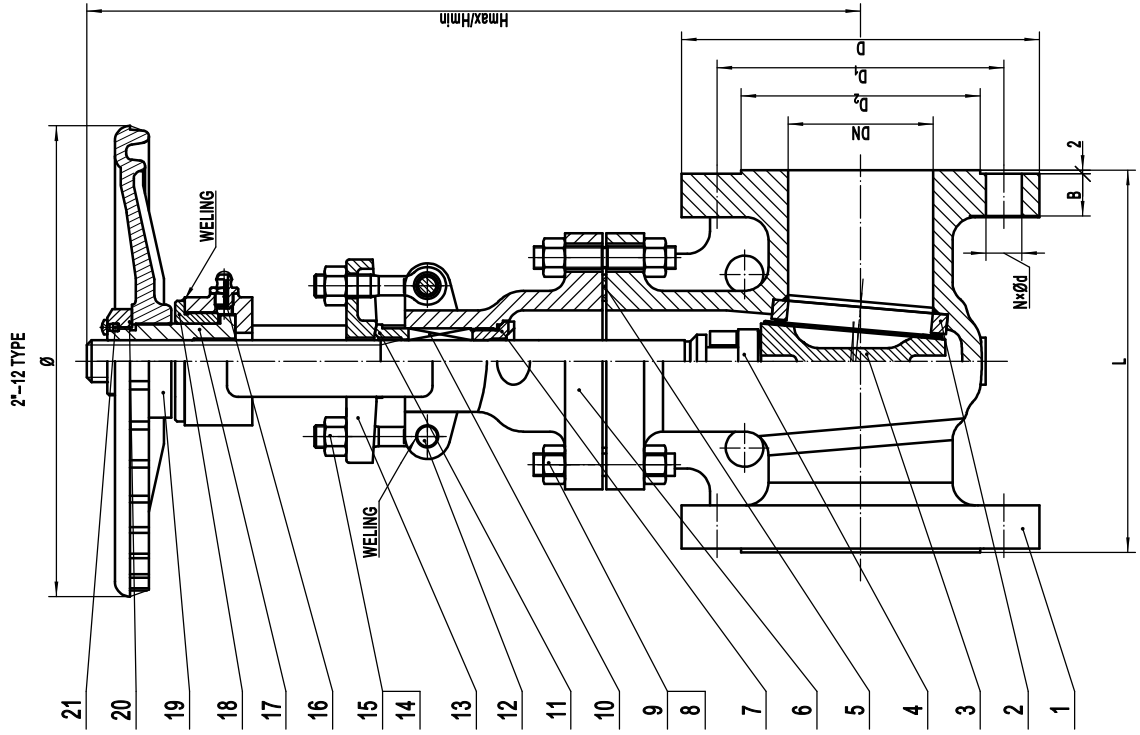


TECHNICAL REQUIREMENTS

- DESIGN: API 600;
- FACE TO FACE: ASME B 16.10;
- FLANGE: ANSI B 16.5;
- TESTING: API 598;
- PRESSURE/TEM: ASME B 16.34.

PERFORMANCE SPECIFICATION

SIZE	2"-24"	
PRESSURE/MPa	150LB	
TEMP	-51--650	
TEST/PSI	SHELL	435(WATER)
	SEALING	319(WATER)
	BACKSEAT	319(WATER)
MEDIUM	LOW AIR PRESSURE	102(WATER)
		WATER/STEAM/OIL



ITEM SIZE	L	DN	D2	D1	D	N×Ød	B	Hmax/Hmin	Ø
2"	178(7")	Ø51(2")	Ø92.1(3.62")	Ø120.7(4.75")	Ø150(6")	4-Ø19(¾")	17.5(0.69")	385/330(15.16"/13")	Ø200(8")
2½"	190(7.48")	Ø64(2.52")	Ø105(4.12")	Ø139.7(5.5")	Ø180(7")	4-Ø19(¾")	20.7(0.81")	435/350(17.12"/13.78")	Ø200(8")
3"	203(7.99")	Ø77(3.03")	Ø127(5")	Ø152.4(6")	Ø190(7.5")	4-Ø19(¾")	22.3(0.88")	510/410(20.08"/16.14")	Ø240(9.5")
4"	229(9.02")	Ø102(4.02")	Ø157(6.19")	Ø190.5(7.5")	Ø230(9")	8-Ø19(¾")	22.3(0.88")	580/465(22.83"/18.3")	Ø280(11")
5"	254(10")	Ø127(5")	Ø185.7(7.31")	Ø215.9(8.5")	Ø255(10")	8-Ø22.2(7/8")	22.3(0.88")	660/520(25.98"/20.47")	Ø280(11")
6"	267(10.5")	Ø153(6.02")	Ø216(8.5")	Ø241.3(9.5")	Ø280(11")	8-Ø22.2(7/8")	23.9(0.94")	775/610(30.51"/24.02")	Ø320(12.5")
8"	292(11.5")	Ø204(8.03")	Ø270(10.62")	Ø388.5(15.29")	Ø445(17.5")	8-Ø22.2(7/8")	27(1.06")	960/745(37.8"/29.33")	Ø360(14")
10"	330(12.99")	Ø254(10")	Ø323.8(12.75")	Ø362(14.25")	Ø405(16")	12-Ø25.4(1")	28.6(1.13")	1165/890(45.87"/35.04")	Ø400(16")
12"	356(14.02")	Ø305(12")	Ø381(15")	Ø431.8(17")	Ø485(19")	12-Ø25.4(1")	30.2(1.19")	1367/1039(53.82"/40.91")	Ø450(17.5")
14"	380(14.96")	Ø337(13.27")	Ø412.8(16.25")	Ø476.3(18.75")	Ø535(21")	12-Ø28.5(1½")	33.4(1.31")	1546(1181)(60.87"/46.5")	Ø560(22")
16"	408(15.98")	Ø388(15.28")	Ø469.9(18.5")	Ø539.8(21.25")	Ø595(23.5")	16-Ø28.5(1½")	35(1.38")	1744/1326(68.5"/52")	Ø560(22")
18"	432(17")	Ø439(17.28")	Ø533.4(21")	Ø577.9(22.75")	Ø635(25")	16-Ø31.8(1½")	38(1.51")	1930/1440(76"/56.5")	Ø640(25")
20"	457(17.99")	Ø489(19.25")	Ø584.2(23")	Ø635(25")	Ø700(27.5")	20-Ø31.8(1½")	41.3(1.63")	2156/1597(84"/63")	Ø640(25")
24"	508(20")	Ø591(23.27")	Ø692.2(27.25")	Ø749.3(29.5")	Ø815(32")	20-Ø35(1½")	46(1.81")	2531/1906.5(98.5"/75")	Ø720(28.5")

NO.	NAME	QTY.	MATERIAL
22	BEARING		
21	NAIL		45 STEEL
20	LOCK NUT		ASTM A29M 1020
19	HANDWHEEL		ASTM A536 63-45-12
18	BEARING GLAND		ASTM A29M 1020
17	STEM NUT		ASTM A399 D-2
16	OIL CUP		H62
15	NUT		ASTM A194 2H
14	BOLT		ASTM A193 B7
13	PACKING PLATE		ASTM A216 WCB
12	PIN		ASTM A193 137
11	PACKING BUSHING		ASTM A276 410
10	PACKING RING		ASTM A276 304+Graphite
9	NUT		ASTM A194 2H
8	STUD		ASTM A193 B7
7	BACKSEAT		ASTM A276 410
6	BONNET		ASTM A216 WCB
5	BONNET GASKET		ASTM A276 304+Graphite
4	STEM		ASTM A276 410
3	5"-24" DISC		ASTM A216 WCB
3	2"-4" DISC		CA15
2	SEAT		ASTM A105
1	BODY		ASTM A216 WCB

YUANDA VALVE
GROUP CO.LTD
API600 GATE VALVE
AP(B)GA-150LB 2"-12"