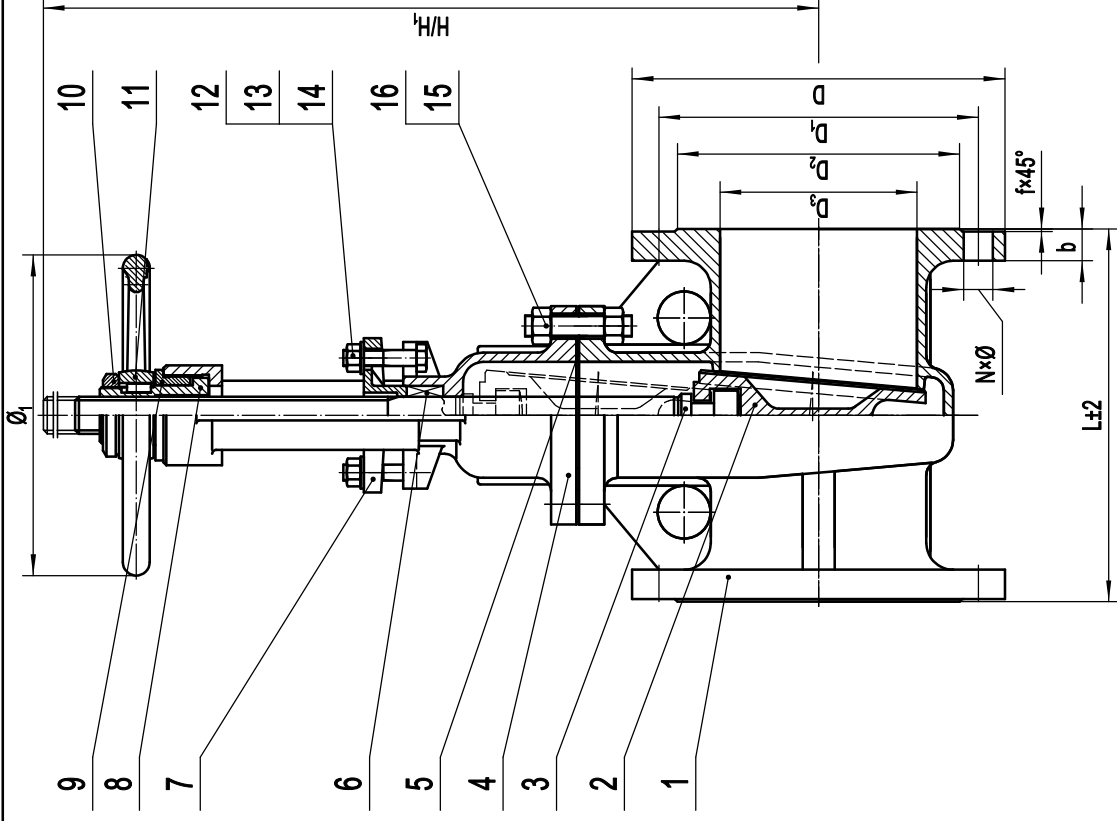


SPECIFICATION

DN	DN50~400
PN,MPa	1.6
TEMPERATURE°C	≤150°C
TEST (MPA/WATER)	SEAL 1.8
	SHELL 2.4
MEDIUM	WATER STEAM, OIL, AND ACETIC ACID CORROSIVE LIQUIDS



NO.	NAME	QTY	MATERIAL
16	NUT		SS304
15	STUD BOLT		SS304
14	BOLT		SS304
13	FLAT WASHER		SS304
12	NUT		SS304
11	HANDWHEEL		QT450-10
10	LOCK NUT		Q235
9	BEARING COVER		Q235
8	STEM NUT		ZCuAl10Fe3
7	PACKING GLAND		CF8
6	PACKING		PTFE
5	BONNET GASKET		PTFE
4	BONNET		321/304/316
3	STEM		F304
2	DISC		321/304/316
1	BODY		321/304/316

D	D ₁	D ₂	D ₃	L±2	b-f	N×Ø	Ø ₁	H/H ₁
DN50	Ø125	Ø102	Ø48	180	17-2	4×Ø18	Ø160	272/327
DN80	Ø195	Ø160	Ø78	210	20-2	4×Ø18	Ø190	338/421
DN100	Ø215	Ø180	Ø98	230	20-2	8×Ø18	Ø215	400/507
DN150	Ø280	Ø240	Ø148	280	24-2	8×Ø22	Ø240	559/722.5
DN200	Ø335	Ø295	Ø198	330	26-2	12×Ø22	Ø285	664/870
DN250	Ø405	Ø355	Ø320	450	26-2	12×Ø26	Ø450	800/1035
DN300	Ø460	Ø410	Ø370	500	28-2	12×Ø26	Ø450	888/1138
DN350	Ø520	Ø470	Ø429	550	30-2	16×Ø26	Ø500	1096/1424
DN400	Ø580	Ø525	Ø480	600	32-2	16×Ø30	Ø500	1241/1604

YUANDA VALVE GROUP CO.,LTD

GATE VALVE

YDGOGA-16P-
50~400