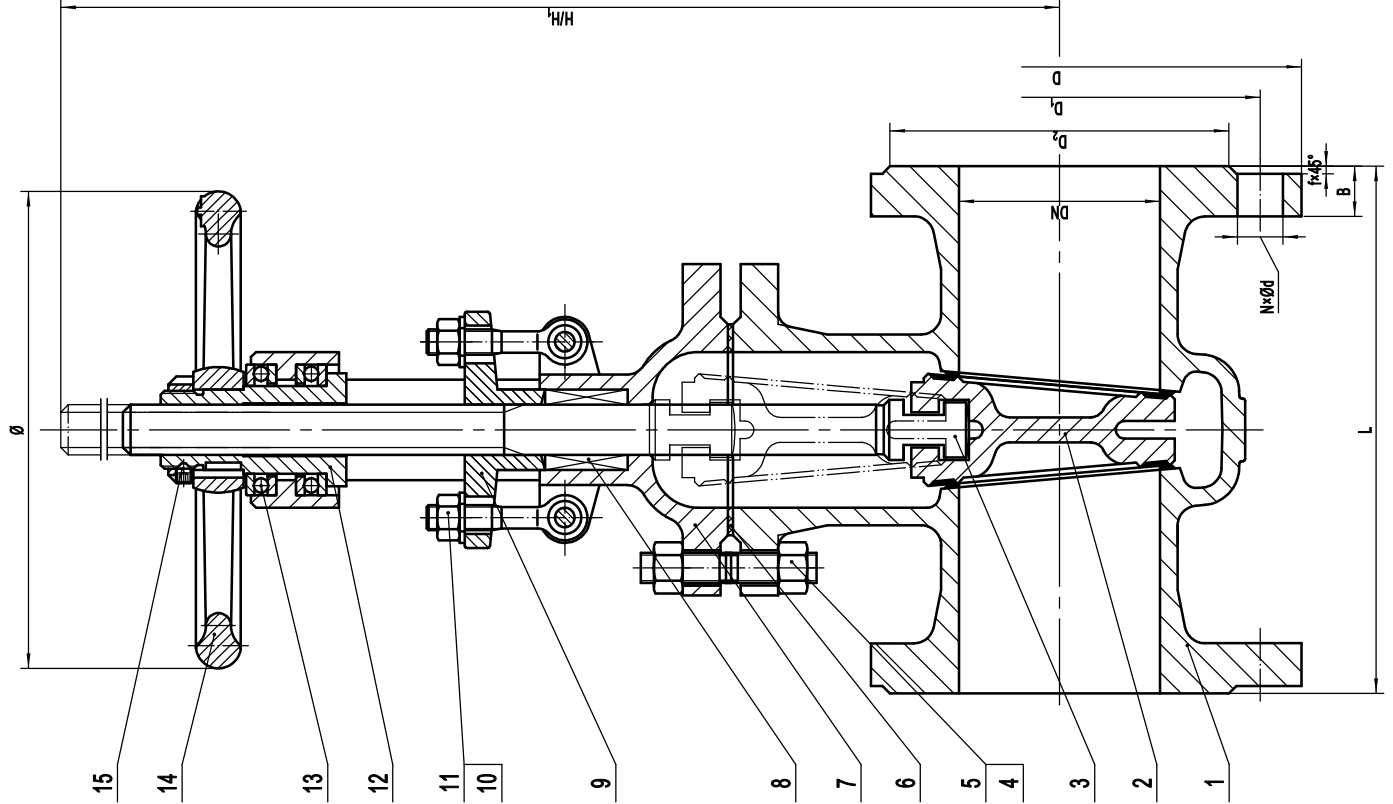


SPECIFICATION

DN	50-200	PN, MPa	1.6
TEMPERATURE, °C	-29~425		
TEST (MPa/WATER)	SHELL SEAL	2.4	
	BACK SEAL	1.8	
MEDIUM	AIR SEAL	0.4-0.7	
	WATER, STEAM, OIL		



口径 DN	DN	D	D ₁	D ₂	B-f	N×Ød	H	H ₁	Ø	L
DN50	50	160	125	102	17-3	4×Ø18	332	396	190	180±2
DN80	78	195	160	133	20-3	4×Ø18	373	467	215	210±2
DN100	95	215	180	158	20-3	8×Ø18	420	534	240	230±2
DN150	145	280	240	212	24-3	8×Ø22	560	715	285	280±2
DN200	195	335	295	268	27-3	12×Ø22	696	903	330	330±2

NO.	NAME	QTY	MATERIAL
15	LOCK NUT		35#STEEL
14	HANDWHEEL		QT450-10
13	BEARING		
12	STEM NUT		BRAS(ZCuAl0F0.3)
11	NUT		35#STEEL
10	BOLT		45#STEEL
9	PACKING GLAND		WCB
8	PACKING		FLEXIBLE GRAPHITE
7	BONNET		WCB
6	BONNET GASKET		08F-FG
5	NUT		35#STEEL
4	STUD BOLT		45#STEEL
3	STEM		Zc13
2	DISC		WCB
1	BODY		WCB

YUNDA VALVE GROUP CO.,LTD	
GATE VALVE	
GO GA-16-50-200	