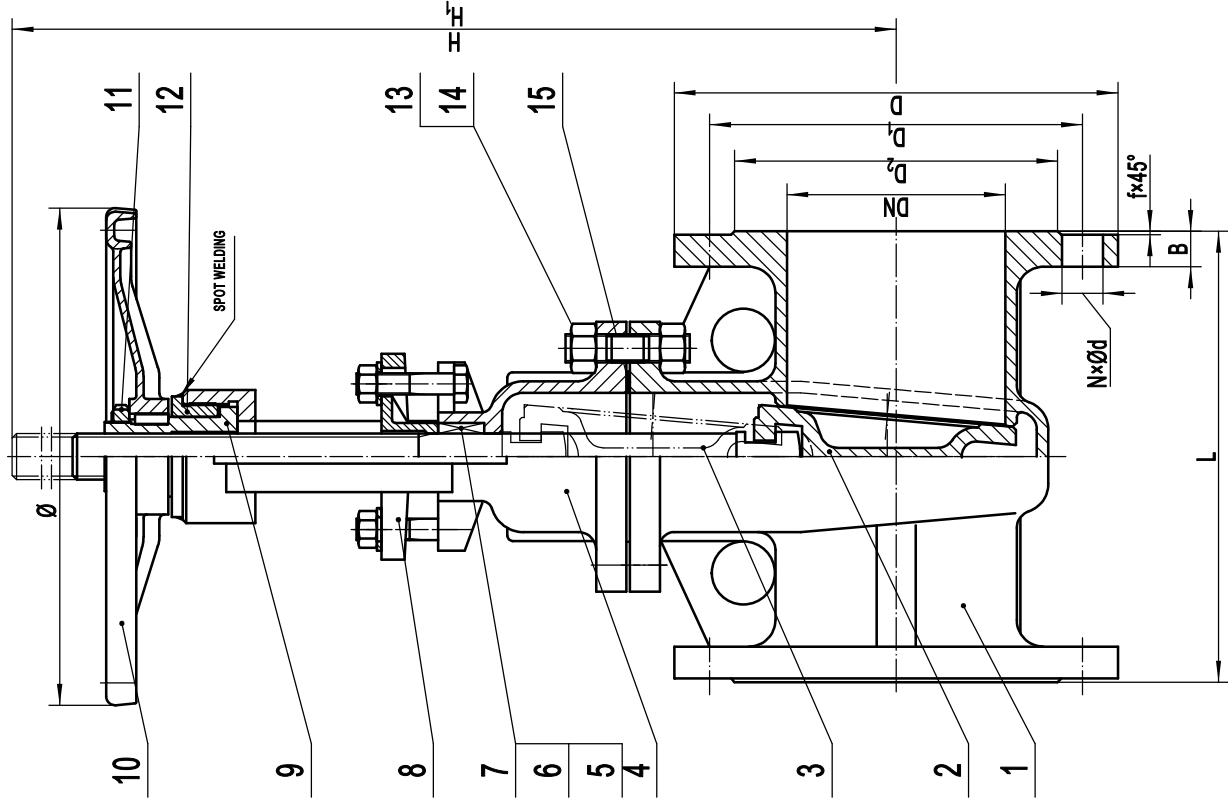


TECHNICAL REQUIREMENT

- 1. DESIGN AND MANUFACTURE: KS B 2361;
- 2. FACE TO FACE: KS B 2306
- 3. FLANGED END: KS B 1511
- 4. TEST AND INSPECT: KS B 2304;

SIZE(MM)	50~200
PRESSURE	10K
SUIT TEMP°C	≤150
TEST	SEAL(WATER) 1.6
PRESSURE	SHELL(WATER) 2.1
MPa	BACK SEAL(WATER) 1.6
	LOW PRESSURE SEAL 0.6
SUIT MEDIUM	WATER,VAPOUR,OIL AND NITRIC ACID
	CORROSIVE LIQUIDS



DN	D	D ₁	D ₂	B-f	N×Ød	H/H ₁	L	Ø
DN50	Ø48	Ø120	Ø96	16-2	4×Ø19	272/327	178±2	Ø180
DN65	Ø63	Ø140	Ø116	18-2	4×Ø19	297/367	190±2	Ø180
DN80	Ø78	Ø185	Ø126	18-2	8×Ø19	338/421	203±2	Ø200
DN100	Ø98	Ø210	Ø151	18-2	8×Ø19	400/507	229±2	Ø200
DN125	Ø123	Ø250	Ø182	20-2	8×Ø23	461/596	254±2	Ø240
DN150	Ø148	Ø280	Ø212	22-2	8×Ø23	559/722.5	267±2	Ø280
DN200	Ø198	Ø330	Ø262	22-2	12×Ø23	664/870	292±2	Ø320
14		NUT				STS304		
13		STUD BOLT				STS304		
12		BEARING COVER				STEEL #Q235		
11		SCREW				STEEL #35		
10		HANDWHEEL				GCD450		
9		STEM NUT				ALBrC		
8		GLAND				SSC13		
7		PACKING				PTFE		
6		PACKING				PTFE		
5		PACKING				PTFE		
4		BONNET				SSC13		
3		STEM				STS304		
2		DISC				SSC13		
1		BODY				SSC13		
NO.		NAME				MATERIAL		REMARK

JOEUN YD VALVE CO.

STAINLESS STEEL GATE VALVE

10K(P)YDGA 50~200