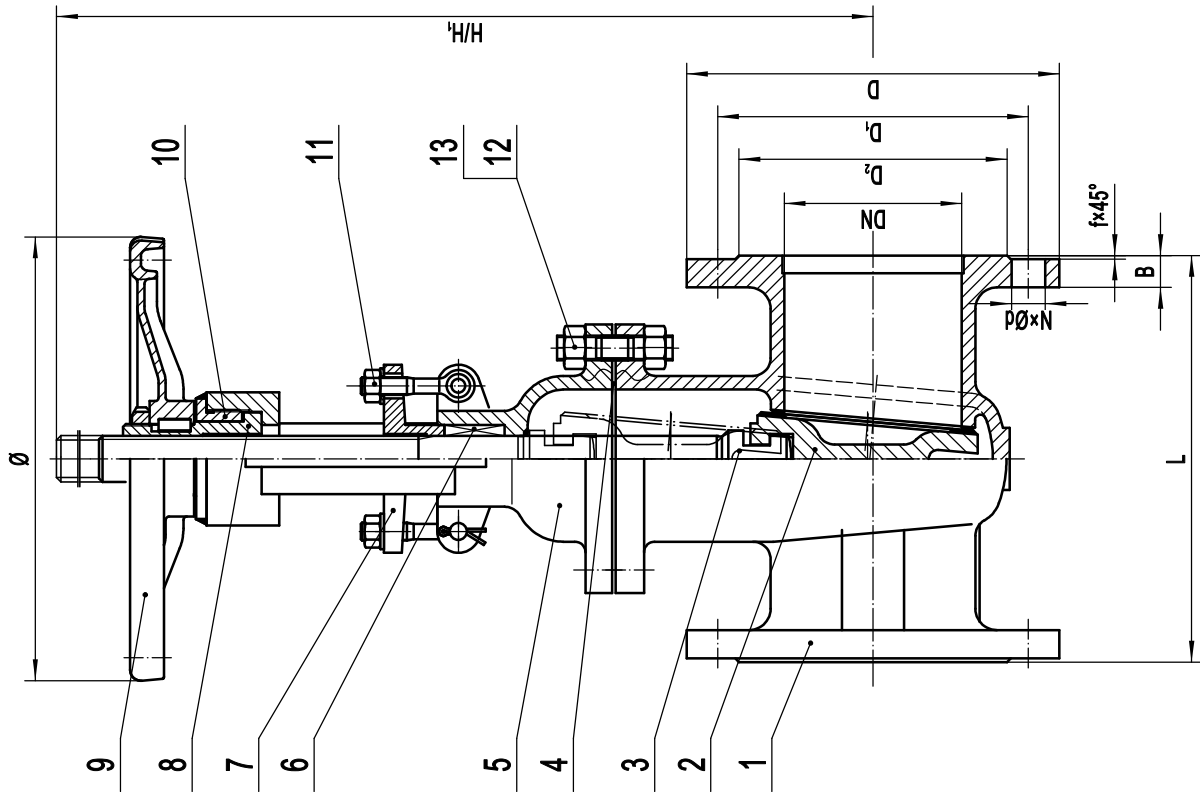


SPECIFICATION

PN	10K	
TEMPERATURE°C	-29~220	
TEST PRESSURE MPa	SEAL(WATER)	1.6
	SHELL(WATER)	2.1
	BACK SEAT(WATER)	1.6
MEDIUM	WATER, STEAM, OIL	

TECHNICAL REQUIREMENT

1. DESIGN AND MANUFACTURE ACCORDING TO KS B 2361;
2. TEST ACCORDING TO KS B 2304.
3. FACE TO FACE TO KS B 2306.
4. FLANGE END TO KS B 1511



DN	L	D	D ₁	D ₂	B-f	N×Ød	Ø	H	H
DN50	178±2	Ø155	Ø120	Ø96	16-2	4×Ø19	Ø200	320	381
DN65	190±2	Ø175	Ø140	Ø116	18-2	4×Ø19	Ø200	346	425
DN80	203±2	Ø185	Ø150	Ø126	18-2	8×Ø19	Ø240	395	489
DN100	229±2	Ø210	Ø175	Ø151	18-2	8×Ø19	Ø280	436	547
DN125	254±2	Ø250	Ø210	Ø182	20-2	8×Ø23	Ø320	510	650
DN150	267±2	Ø280	Ø240	Ø212	22-2	8×Ø23	Ø320	570	730
DN200	292±2	Ø330	Ø290	Ø262	22-2	12×Ø23	Ø360	710	920
DN250	330±3	Ø400	Ø355	Ø324	24-2	12×Ø25	Ø400	884	1147
DN300	366±3	Ø445	Ø400	Ø368	24-3	16×Ø25	Ø450	1023	1334
13		NUT				S35C			
12		STUD BOLT				S45C			
11		BOLT				S45C			
10		BEARING COVER				S35C			
9		HANDWHEEL				DUCTILE IRON			
8		STEM NUT				BRASS(ZCuAl10Fe3)			
7		PACKING GLAND				SCPH2			
6		PACKING				FLEXIBLE GRAPHITE			
5		BONNET				SCPH2			
4		BONNET GASKET				STEEL+FLEXIBLE GRAPHITE			
3		STEM				SUS420			
2		DISC				SCPH2			
1		BODY				SCPH2			
NO.	CODE	NAME	QTY	MATERIAL	REMARK				

YUANDA VALVE GROUP
CO., LTD.
GATE VALVE
GA 10K-50~300