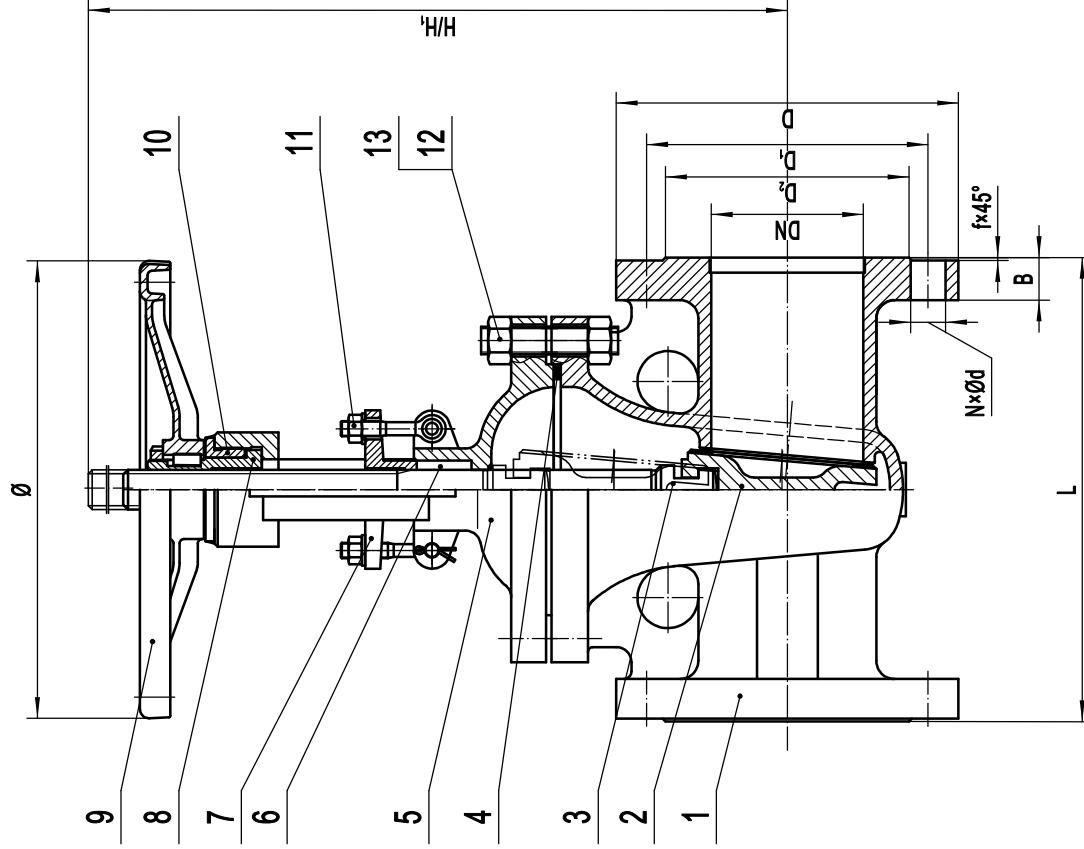


TECHNICAL REQUIREMENT

1. DESIGN AND MANUFACTURE ACCORDING TO KS B 2361;
2. TEST ACCORDING TO KS B 2304.
3. FACE TO FACE TO KS B 2306.
4. FLANGE END TO KS B 1511.

SPECIFICATION

PN	20K	
TEMPERATURE ^o C	-29~220	
TEST PRESSURE MPa	SEAL(WATER)	3.9
	SHELL(WATER)	5.3
	BACK SEAT(WATER)	3.9
MEDIUM	LOW PRESSURE SEAL 0.6 WATER,STEAM,OIL	



DN	L	D	D ₁	D ₂	B-f	N×Ød	Ø	H	H _i
DN50	216±2	Ø155	Ø120	Ø96	22-2	8×Ø19	Ø240	320	381
DN65	241±2	Ø175	Ø140	Ø116	24-2	8×Ø19	Ø240	350	425
DN80	283±2	Ø200	Ø160	Ø132	26-2	8×Ø23	Ø280	395	489
DN100	305±2	Ø225	Ø185	Ø160	28-2	8×Ø23	Ø320	436	547
DN125	381±2	Ø270	Ø225	Ø195	30-2	8×Ø25	Ø320	505	613
DN150	403±2	Ø305	Ø260	Ø230	32-2	12×Ø25	Ø360	576	740
DN200	419±2	Ø350	Ø305	Ø275	34-2	12×Ø25	Ø400	728	940
DN250	457±3	Ø430	Ø380	Ø345	38-2	12×Ø27	Ø450	884	1143
DN300	502±3	Ø480	Ø430	Ø395	40-3	16×Ø27	Ø500	1036	1350

NO.	CODE	NAME	QTY	MATERIAL	REMARK
13		NUT		S35C	
12		STUD BOLT		S45C	
11		BOLT		S45C	
10		BEARING COVER		S35C	
9		HANDWHEEL		DUCTILE IRON	
8		STEM NUT		BRASS(ZCuAl10Fe3)	
7		PACKING GLAND		SCPH2	
6		PACKING		FLEXIBLE GRAPHITE	
5		BONNET		SCPH2	
4		BONNET GASKET		410-FLEXIBLE GRAPHITE	
3		STEM		SUS420	
2		DISC		SCPH2	
1		BODY		SCPH2	

YUANDA VALVE GROUP
CO., LTD.
GATE VALVE
GA 20K-50~300