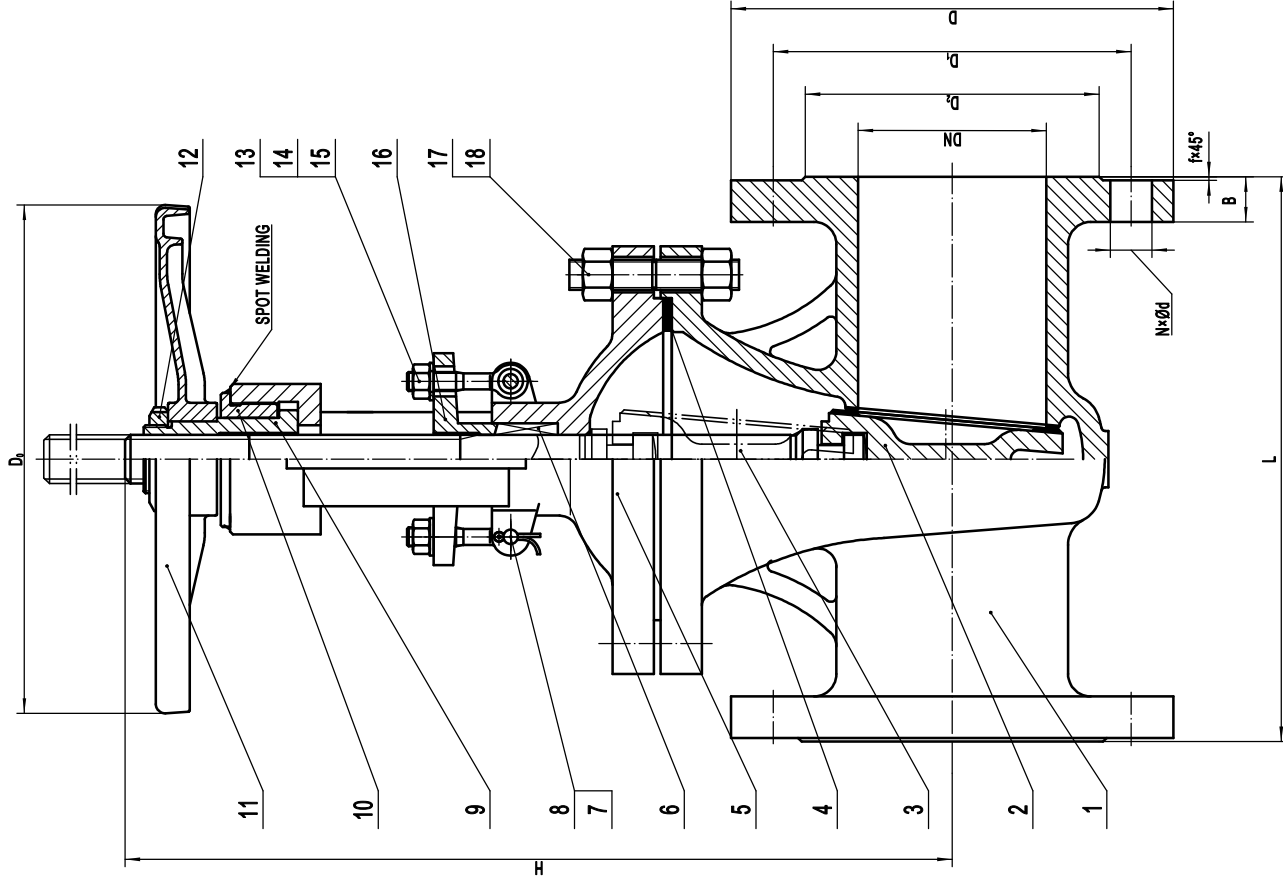


SPECIFICATION

SIZE	40-200	
PRESSURE MPa	1.6/2.5	
TEMPERATURE ^o C	-29~425	
TEST PRESSURE MPa	SEAL(WATER)	1.8/2.8
	BACK SEAL(WATER)	2.4/3.8
	LOW PRESSURE SEAL(GAS)	1.8/2.8
MEDIUM	0.4~-0.7 WATER/OIL/GAS	

TECHNICAL REQUIREMENT

1. DESIGN ACCORDING TO GB/T 12294.
2. FACE TO FACE ACCORDING TO GB/T 12221.
3. FLANGE CONNECTION ACCORDING TO GB/T 9113.1.
4. TEST ACCORDING TO GB/T 26480



SIZE	DN	L	D	D1	D2	B-f	N*Ød	Ø	H	H1	
16C	DN40	200	150	110	84	18-2	4*Ø18	200	305	356	
	DN50	250	165	125	99	20-2	4*Ø18	200	328	388	
	DN65	270	185	145	118	22-2	4*Ø18	240	348	423	
	DN80	300	200	160	132	24-2	8*Ø18	240	380	472	
	DN100	300	230	180	156	22-2	8*Ø18	280	435	551	
	DN125	325	250	210	184	22-2	8*Ø18	280	527	665	
	DN150	360	285	240	211	24-2	8*Ø22	320	599	764	
	DN200	400	340	295	266	24-2	12*Ø22	360	722	938	
	25	DN40	200	150	110	84	18-2	4*Ø18	200	305	356
		DN50	250	165	125	99	20-2	4*Ø18	200	328	388
DN65		270	185	145	118	22-2	8*Ø18	240	348	423	
DN80		300	200	160	132	24-2	8*Ø18	240	380	472	
DN100		300	235	180	156	24-2	8*Ø22	280	445	560	
DN125		325	270	220	184	26-2	8*Ø26	280	522	660	
DN150		360	300	250	211	28-2	8*Ø26	320	600	764	
DN200		400	360	310	274	30-2	12*Ø26	360	722	938	

NO.	NAME	QTY	MATERIAL
18	NUT		35#STEEL
17	STUD BOLT		45#STEEL
16	PACKING GLAND		WCB
15	BOLT		45#STEEL
14	FLAT WASHER		Q235
13	NUT		35#STEEL
12	LOCK NUT		35#STEEL
11	HANDWHEEL		QT450-10
10	BEARING GLAND		Q235 STEEL
9	STEM NUT		BRASS(ZCuAl10Fe3)
8	COTTER PIN		Q235 STEEL
7	PIN SHAFT		35#STEEL
6	PACKING		FLEXIBLE GRAPHITE
5	BONNET		WCB
4	GASKET		1Cr13-FLEXIBLE GRAPHITE
3	STEM		Zcrl3
2	DISC		WCB
1	BODY		WCB

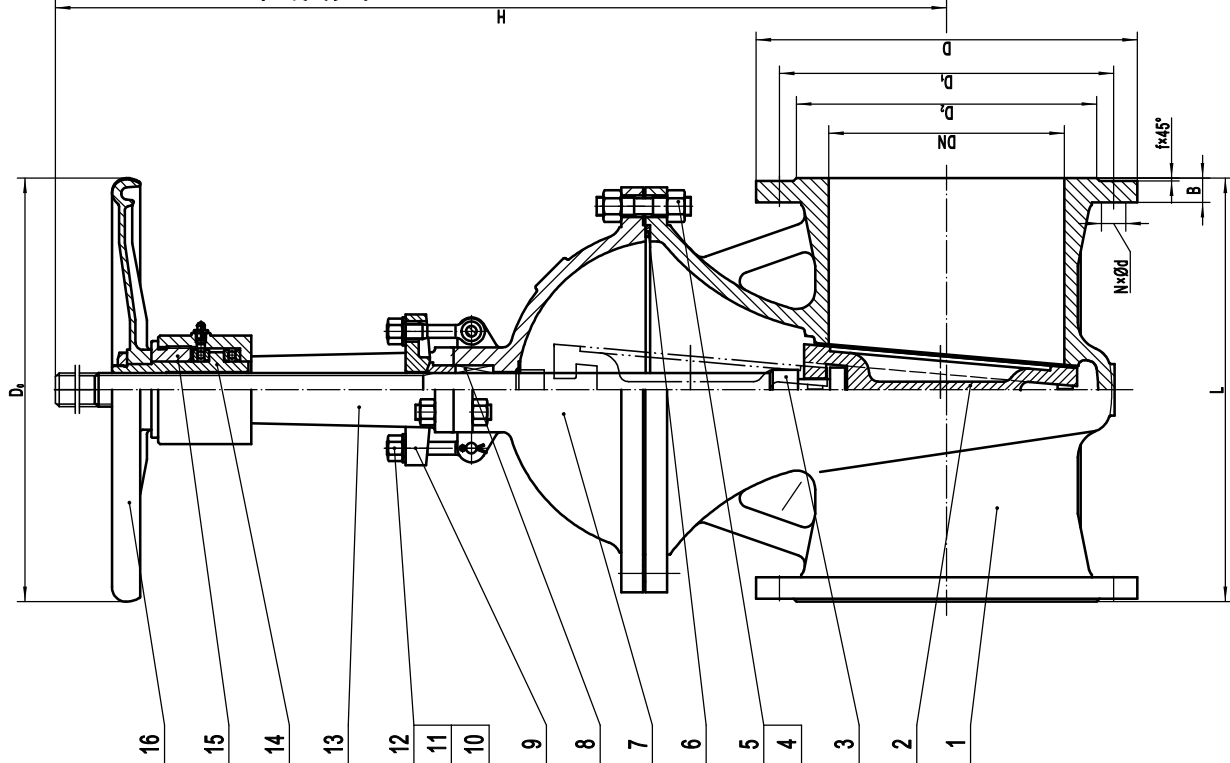
YUANDA VALVE GROUP
CO.,LTD
CS GATE VALVE
Z40Y-16C/25 DN40-200

SPECIFICATION

PRESSURE MPa	1.6/2.5
TEMPERATURE °C	-29~425
TEST PRESSURE MPa	1.8/2.8
SEAL (WATER)	1.8/2.8
STRENGTH (WATER)	2.4/3.8
BACK SEAT (WATER)	1.8/2.8
UP PRESSURE	0.4~0.7
SEAL (GAS)	
MEDIUM	WATER/OIL/GAS

TECHNICAL REQUIREMENT

- DESIGN ACCORDING TO GB/T 12234
- FACE TO FACE ACCORDING TO GB/T 12221
- FLANGE CONNECTION ACCORDING TO GB/T 9113.1
- TEST ACCORDING TO GB/T 26480



	DN	L	D	D ₁	D ₂	B-f	N-Ød	Ø	H	H ₁
1.6C	DN250	450±2	405	355	319	26-2	12-ø26	400	905	1175
	DN300	500±3	460	410	370	28-2	12-ø26	450	1070	1391
	DN350	550±3	520	470	429	30-2	16-ø26	500	1178	1535
	DN400	600±3	580	525	480	32-2	16-ø30	560	1321	1732
	DN450	650±3	640	585	545	40-4	20-ø30	640	1441	1907
2.5	DN500	700±3	705	650	608	44-4	20-ø34	720	1601	2118
	DN600	800±4	840	770	718	48-5	20-ø41	800	1961	2585
	DN250	450±2	425	370	330	32-2	12-ø30	400	905	1175
	DN300	500±3	485	430	389	34-2	16-ø30	450	1070	1391
	DN350	550±3	555	490	448	38-2	16-ø33	500	1178	1535
	DN400	600±3	620	550	503	40-2	16-ø36	560	1321	1732
	DN450	650±3	660	600	555	50-4	20-ø34	640	1441	1907
	DN500	700±3	730	660	610	52-4	20-ø41	720	1601	2118
	DN600	800±4	840	770	718	56-5	20-ø41	800	1961	2585

NO.	NAME	QTY	MATERIAL
16	HANDWHEEL		QT450-10
15	BEARING GLAND		Q235
14	STEM NUT		BRASS(ZCuAl10Fe3)
13	YOKE		WCB
12	FLAT WASHER(CLASSC)		35#STEEL
11	NUT		35#STEEL
10	BOLT		45#STEEL
9	PACKING GLAND		WCB
8	PACKING		FLEXIBLE GRAPHITE
7	BONNET		WCB
6	GASKET		1Cr18-FLEXIBLE GRAPHITE
5	NUT		35#STEEL
4	STUD BOLT		45#STEEL
3	STEM		ZG13
2	DISC		WCB
1	BODY		WCB

YUANDA VALVE GROUP
CO.,LTD
CS GATE VALVE
Z40Y16C/25 DN250-600