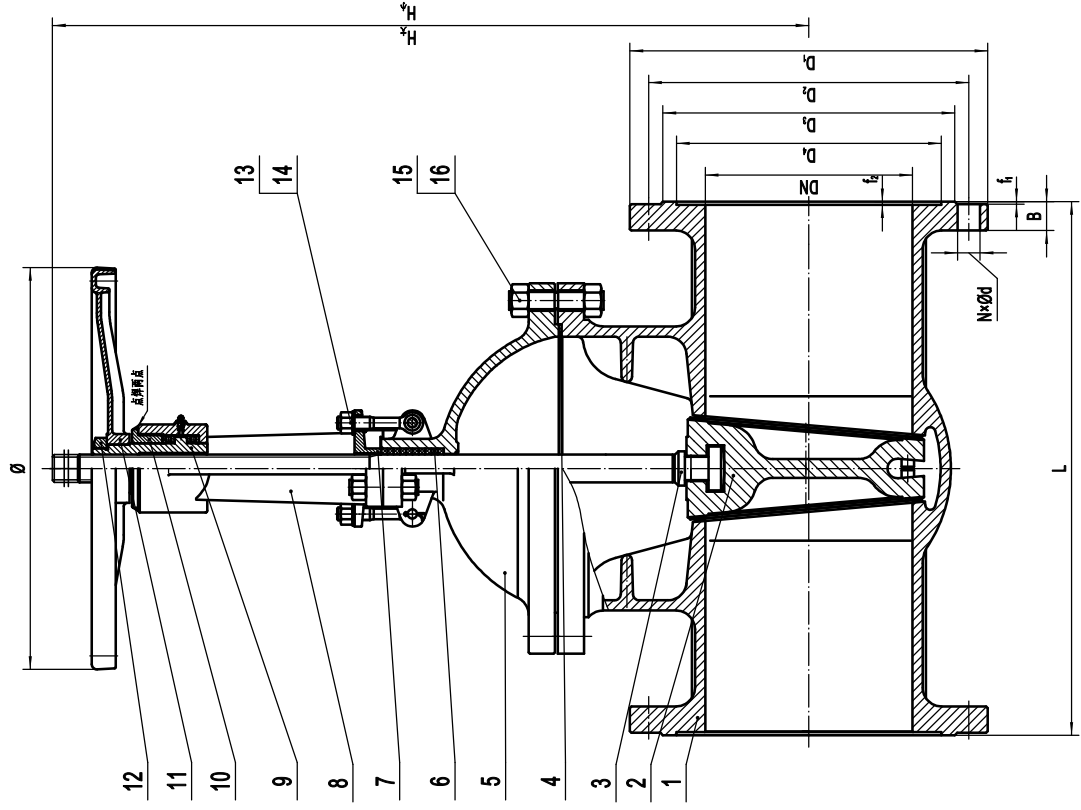


SPECIFICATION

SIZE	DN50~600	
PRESSURE MPa	4.0	
TEMPERATURE °C	-29~425	
TEST PRESSURE MPa	SEAL(WATER)	4.51
	STRENGTH(WATER)	6.15
	BACK SEAT(WATER)	4.51
	LOW PRESSURE (WSS)	0.4~0.7
MEDIUM	WATER,OIL,GAS	



SIZE	ITEM	L	D1	D2	D3	D4	DN	B-f1	f1	NxØd	Ø	H1	H2
50	250±2	165	99	20-4	3	4xØ18	200	328	388				
65	280±2	185	110	63	22-4	3	8xØ18	280	370	443			
80	310±2	200	132	121	76	24-4	3	8xØ18	280	417	506		
100	350±2	235	156	150	96	24-4.5	3.5	8xØ22	320	419	508		
125	400±2	270	184	176	121	26-4.5	3.5	8xØ26	360	537	674		
150	450±2	300	250	211	146	28-4.5	3.5	8xØ26	400	630	788		
200	550±2	375	320	284	190	34-4.5	3.5	12xØ30	450	781	986		
250	650±2	450	385	345	238	38-4.5	3.5	12xØ33	560	894	1148		
300	750±2	515	450	409	285	42-4.5	3.5	16xØ33	640	1042	1349		
350	850±3	570	510	465	330	46-5	4	16xØ34	720	1165	1513		
400	950±3	655	585	535	380	50-5	4	16xØ41	800	1310	1711		
450	1050±3	680	610	560	425	57-4	5	20xØ41	950	1468	1920		
500	1150±3	755	670	612	475	57-4	5	20xØ48	950	1629	2135		
600	1350±3	890	785	730	570	62-5	5	20xØ48	800	1916	2523		

NO.	NAME	QTY	MATERIAL
16	STUD BOLT		45#STEEL
15	NUT		35#STEEL
14	FLAT WASHER		35#STEEL
13	BOLT		45#STEEL
12	LOCK NUT		Q235 STEEL
11	HANDWHEEL		QT450-10
10	BEARING GLAND		Q235 STEEL
9	STEM NUT		BRASS(ZCuAl10Fe3)
8	YOKE		WCB
7	PACKING GLAND		WCB
6	PACKING		FLEXIBLE GRAPHITE
5	BONNET		WCB
4	GASKET		1Cr13/FLEXIBLE GRAPHITE
3	STEM		Zc113
2	DISC		WCB
1	BODY		WCB

YUANDA VALVE GROUP
CO.,LTD
CS GATE VALVE
(B)Z40H-40-50~600